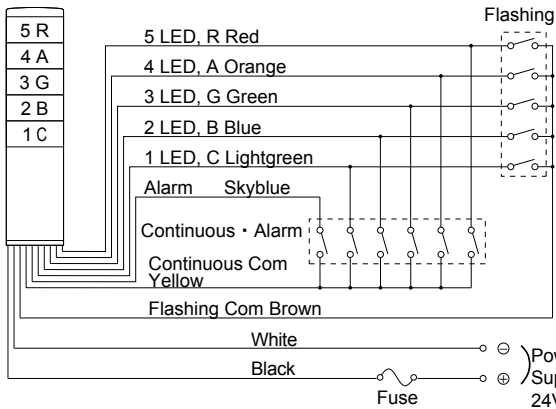


# LGE/LG Wiring Diagram

[LGE/LG-□□□(FB) Model]



● Continuous signal has priority when Flashing signal is activated simultaneously.

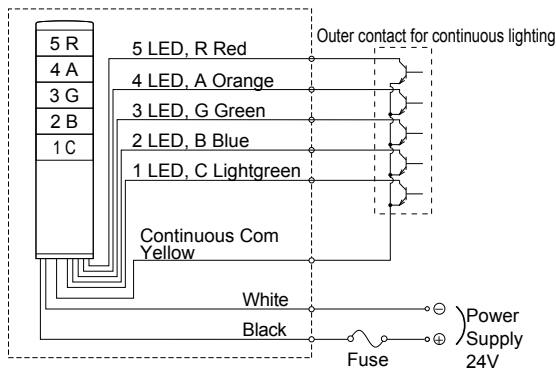
## ■ Voltage and Amperage of lead wire per layer

Voltage Type	Signal Line Voltage	LGE			LG			
		LED Signal Line Current	Alarm Signal Line Current	Rush Current	Incandescent bulb Signal Line Current	Rush Current	Alarm Signal Line Current	Rush Current
AC/DC 24V	AC/DC 24V	90mA	20mA	250mA	600mA	6A	20mA	250mA
AC100V	AC24V				200mA	2A	60mA	100mA
AC220V					100mA	1A	60mA	100mA

## DC 24V:NPN(PNP)Transistor

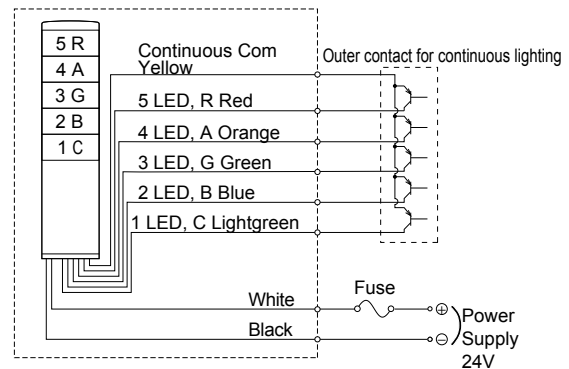
### ■ NPN

LG(E)

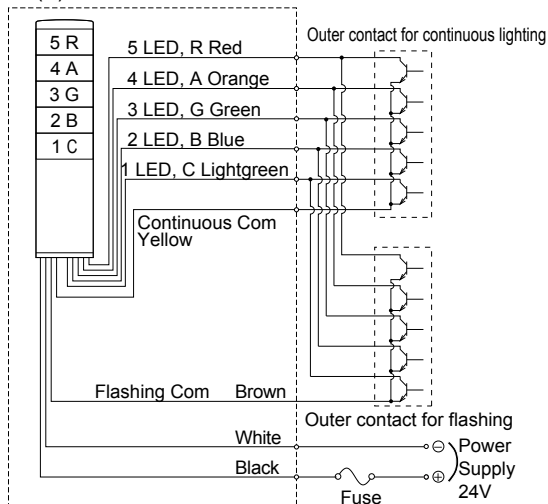


### ■ PNP

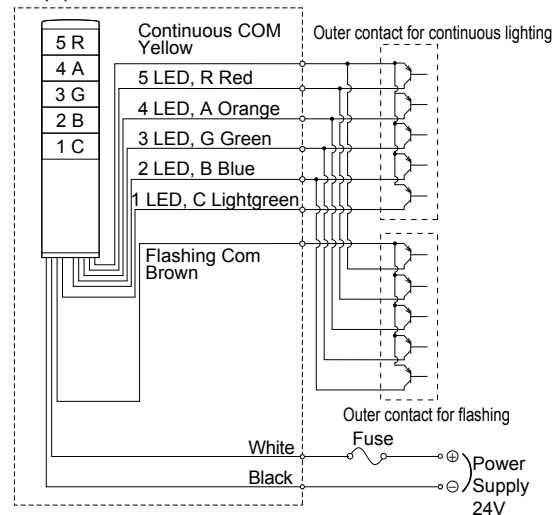
LG(E)



LG(E)-FB



LG(E)-FB



### ■ Fuse rate

Model	LG		LGE
Voltage type	24V	100~240V	All types
Fuse	Miniature glass tube fuse φ 5 × 20mm		
Rated current	5A	1A	1A

### ■ Transistor Capacity(NPN/PNP)

Model	LG	LGE
Current Capacity	$I_c \geq 6A$	$I_c \geq 0.1A$ (LED unit) $I_c \geq 0.3A$ (Alarm)
Voltage	$V_c \geq 35V$	$V_c \geq 35V$