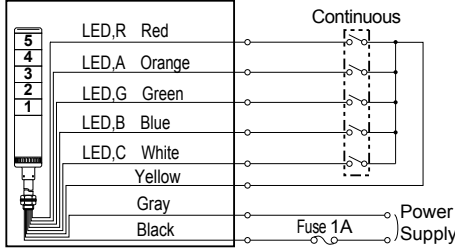
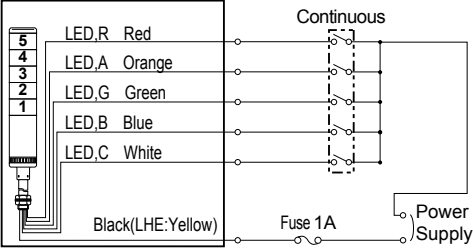


LES/LE/LHE Model Wiring Diagram

[LE-□□□(FB)(W)(P) Model]

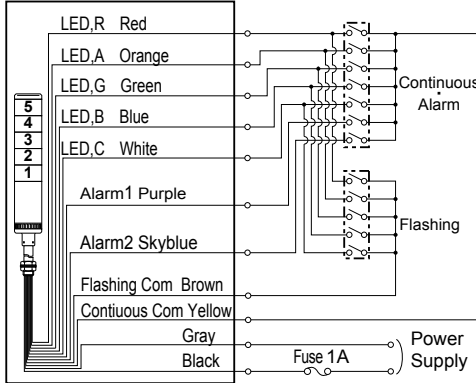
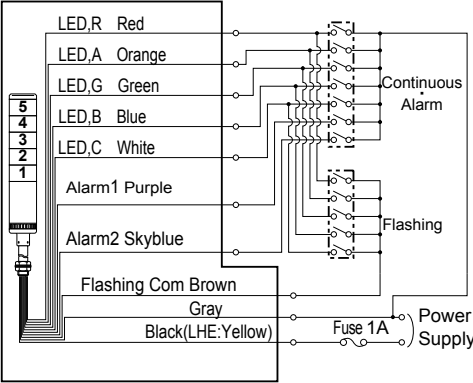
■ LES/LE/LHE AC/DC 12/24V (LES:24V type only)

■ LE/LHE AC 100/220V



■ LE/LHE-FB AC/DC 12/24V

■ LE/LHE-FB AC 100/220V



LE LES LHE

Lead wire color correspondence table

Color of LED unit	Color of Lead wire
Red	Red
Amber	Orange
Green	Green
Blue	Blue
Clear	White

※LE type: All 5 light wires are supplied even if all colors are not used.

Alarm	Color of Lead wire
Alarm1	Purple
Alarm2	Skyblue

※Alarm wires do not exist for continuous only model.

Fuse for outer contact protection

Voltage	Fuse
All voltage types	1A

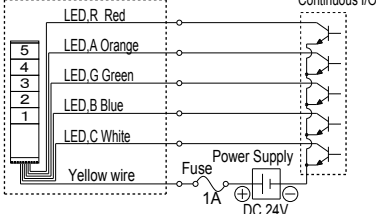
Volage and Amperage of lead wire per layer

Model	Voltage Type	Signal Line Voltage	LED			Alarm
			Signal Line Current			
LE	AC/DC 12V	AC/DC 12V	R,A:50mA	G,C:40mA	B:44mA	Signal Line Current 40mA
LHE-A	AC/DC 24V	AC/DC 24V	R,A:50mA G,C,B:40mA			
LES/LE			R,A:25mA G,C:20mA B:22mA			
LHE-A	AC100V,220V	DC 24V	R,A:50mA G,C,B:40mA			Rush Current 150mA
LE			R,A:25mA G,C:20mA B:22mA			

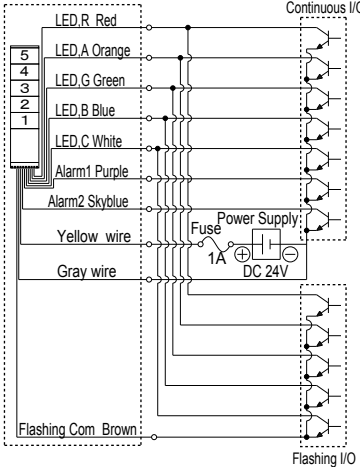
NPN(PNP)Transistor

DC24V NPN Transistor

■ Continuous only

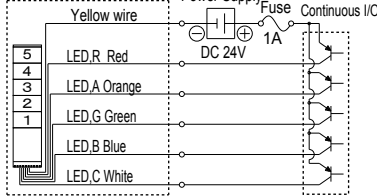


■ Continuous and Flashing with Alarm

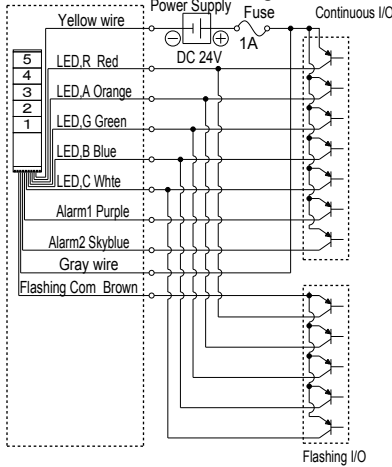


DC24V Transistor

■ Continuous only

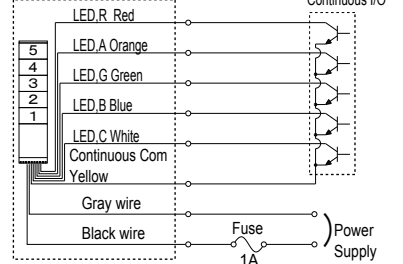


■ Continuous and Flashing with Alarm

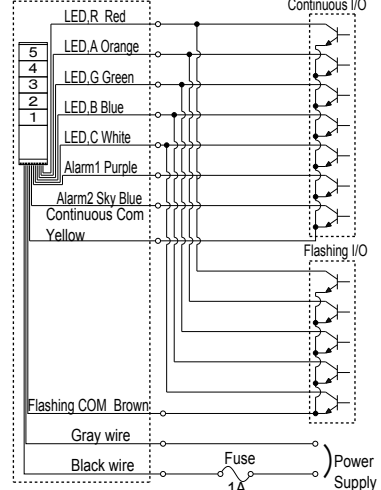


AC100/220V NPN Transistor

■ Continuous only



■ Continuous and Flashing with Alarm



	Transistor	Current Capacity	Withstand Voltage	Current Leak
LES	NPN or PNP	$I_c \geq 100\text{mA}$ (LED UNIT) $I_c \geq 300\text{mA}$ (Alarm)	$V_c \geq 35\text{V}$	$I_L \leq 1\text{mA}$
LE			$V_c \geq 50\text{V}$	
LHE		$I_c \geq 50\text{mA}$ (LED UNIT)		